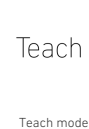


# IS 3360

DALI-2 APC - concealed, rd.  
 EAN 4007841 033521  
 Article number 033521



5 years

manufacturer's  
warranty steinel-  
professional.de/  
garantie

## Function description

Higher, further, faster. Infrared presence detector IS 3360 for indoors and out, ideal for watching over high spaces and large areas, such as multi-storey and underground car parks, installation height up to 4 m, 360° angle of coverage, reach 20 m max. (tangential). Available either in round or square surface-mounted and concealed version.

## Technical specifications

|                         |  |
|-------------------------|--|
| Dimensions (Ø x H)      | 124 x 78 mm  |
| With motion detector    | Yes  |
| Manufacturer's Warranty | 5 years  |
| Settings via            | Remote control, Potentiometers, Smart Remote   |
| With remote control     | No   |
| Version                 | DALI-2 APC - concealed, rd.  |
| PU1, EAN                | 4007841033521  |
| Type                    | Motion and Presence Detector   |
| Application, place      | Indoors  |
| Application, room       | production facilities, recreation room, changing room, function room / ancillary room, sports hall, reception / lobby, stairwell, WC / washroom, multi-storey / underground car park, warehouse, Indoors |
| Colour                  | white  |
| Colour, RAL             | 9003   |

|   |  |
|---|--|
| Optimum mounting height                       | 2,8 m  |
| Detection angle                               | 360 °  |
| Angle of aperture                             | 180 °  |
| Sneak-by guard                                | Yes  |
| Capability of masking out individual segments | Yes  |
| Electronic scalability                        | No   |
| Mechanical scalability                        | No   |
| Reach, radial                                 | Ø 8 m (50 m <sup>2</sup> )   |
| Reach, tangential                             | Ø 40 m (1257 m <sup>2</sup> )  |
| Reach, presence                               | Ø 3 m (7 m <sup>2</sup> )  |
| Switching zones                               | 1416 switching zones   |
| Functions                                     | Normal / test mode, Manual ON / ON-OFF, Constant-lighting control ON-OFF |
| Twilight setting                              | 2 – 1000 lx  |
| Time setting                                  | 5 s – 15 Min.  |
| Basic light level function                    | Yes  |

# IS 3360

DALI-2 APC - concealed, rd.  
EAN 4007841 033521  
Article number 033521



## Technical specifications

|                            |                                    |                                 |                     |
|----------------------------|------------------------------------|---------------------------------|---------------------|
| Includes corner wall mount | No                                 | Basic light level function time | 1-30 min, all night |
| Installation site          | ceiling                            | Main light adjustable           | 50 - 100 %          |
| Installation               | Concealed wiring, Ceiling          | Twilight setting TEACH          | Yes                 |
| IP-rating                  | IP20                               | Constant-lighting control       | Yes                 |
| Ambient temperature        | from -20 up to 50 °C               | Interconnection                 | Yes                 |
| Material                   | Plastic                            | Type of interconnection         | Master/slave        |
| Mains power supply         | 220 – 240 V / 50 – 60 Hz           | Interconnection via             | Cable               |
| Steuerausgang, Dali        | Broadcast 1x30 electronic ballasts | Product category                | Presence detector   |
| Technology, sensors        | passive infrared, Light sensor     |                                 |                     |
| Mounting height            | 2,50 – 4,00 m                      |                                 |                     |
| Mounting height max.       | 4,00 m                             |                                 |                     |

## Accessories

|                    |                             |
|--------------------|-----------------------------|
| EAN 4007841 009151 | Remote control Smart Remote |
| EAN 4007841 559410 | Service remote control RC8  |
| EAN 4007841 592806 | User remote control RC5     |
| EAN 4007841 056742 | Black cover for IR-sensors  |

# IS 3360

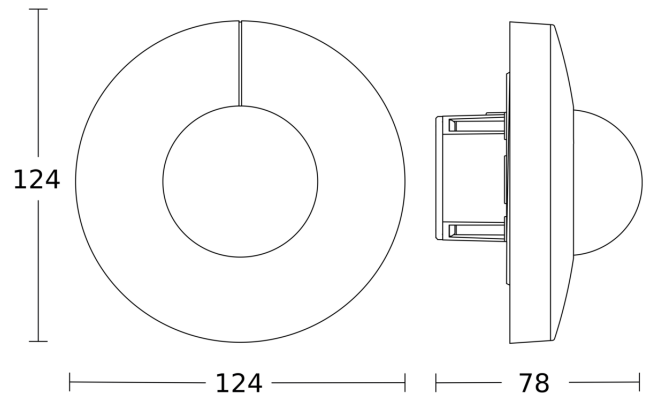
DALI-2 APC - concealed, rd.  
 EAN 4007841 033521  
 Article number 033521

## Detection Zone

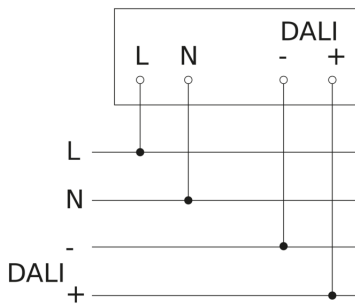


Possible mounting height: 2,50 m – 4,00 m  
 Orange: radial  
 Black: tangential

## Dimension Drawing



## Master circuit diagram



## Circuit diagram for interconnecting DALI-2 APC with DALI-2 IPD

